

Power supply unit type ZA-230UPS



Power supply unit type ZA-230UPS is an electrical device designed for use in underground mining coal face pits in non-explosive hazard conditions or on the ground.

Power supply unit type ZA-230UPS is designed for powering electrical devices in 230V AC circuits. Power supply provides backup power (no longer than for half hour) when utility power fails. The device is equipped with power protection against short-circuits, overloads and low insulation resistance.

TECHNICAL DATA:

ingress protection
rated power supply voltage
rated current
dimension
weight

IP54
230V or 500V, 50 Hz
4A
900 x 700 x 370mm (H x W x D)
60 kg

CONSTRUCTION

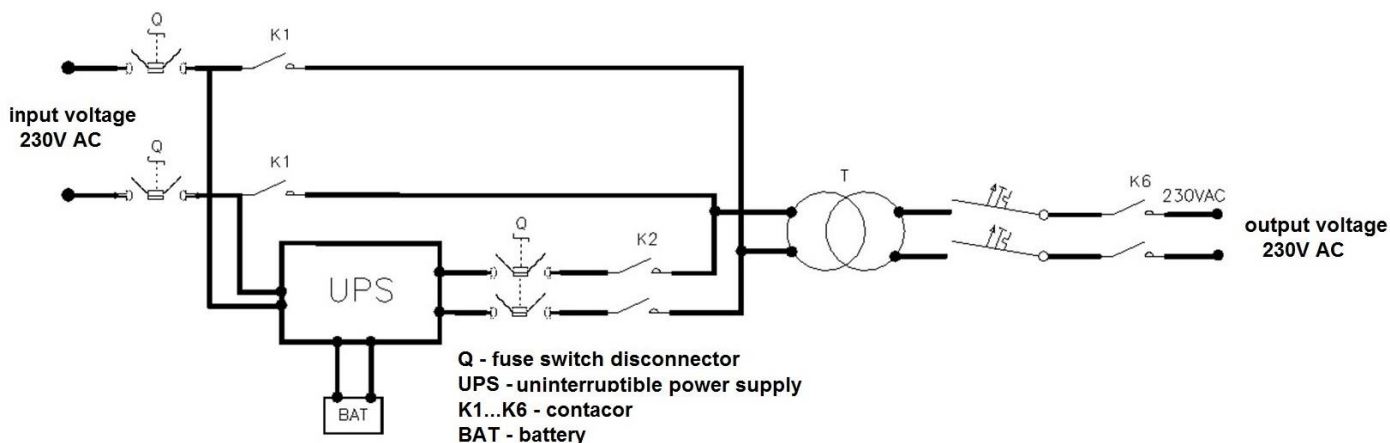
The device is set in a construction made of a square steel profile and the housing has got a handle for carrying and mounting.

MODE OF OPERATION

The control outlet is made with the lever of fuse switch disconnecter on the face of the power supply unit. Power supply unit type ZA-230UPS has three operation modes: „UPS”, „NETWORK” and „BLOCKADE”.

In „UPS” operation mode, 230V circuits are powered with the use of uninterruptible power supply, it provides backup power (no longer than for half hour) when utility power fails. In „NETWORK” operation mode 230V circuits are powered without the use of UPS. In „BLOCKADE” operation mode, 230V circuits are de-energized. The 230V circuits are protected against short-circuits, overloads and low insulation resistance.

SCHEMATIC DIAGRAM



Orders should be submitted in writing or by fax to the address:

 **Instal-Service PL**

Spółka z ograniczoną odpowiedzialnością
Spółka komandytowa

58-506 Jelenia Góra, ul. Wrocławska 15a
tel. (+48 075) 64-57-950
fax. (+48 075) 64-57-951
e-mail: instal@instal-service.pl